

STEPPED FOUNDATION

P



CITY OF FULLERTON

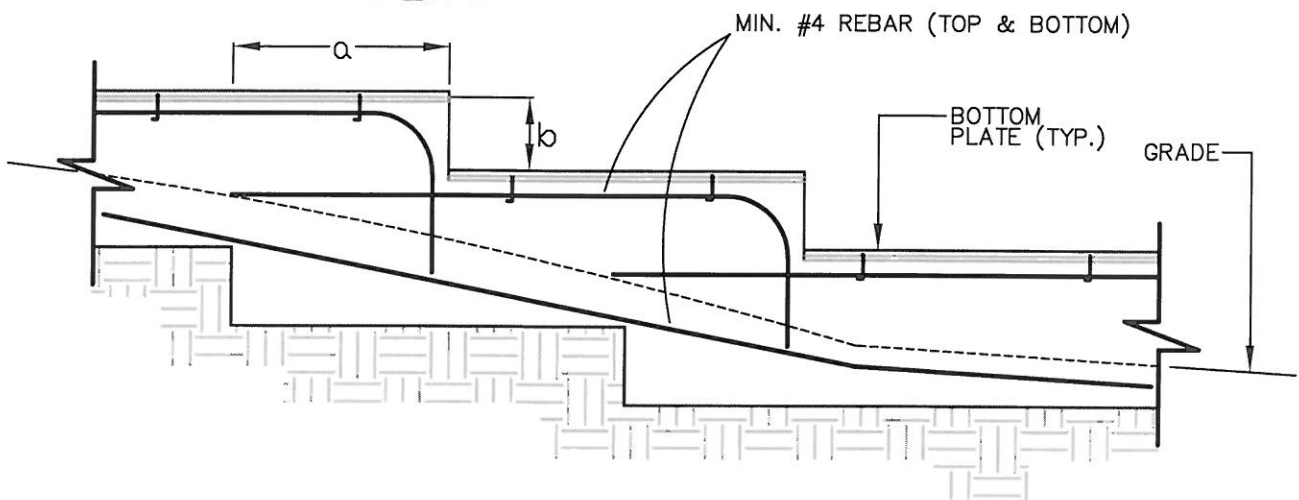
COMMUNITY DEVELOPMENT DEPARTMENT

303 W. COMMONWEALTH AVENUE

FULLERTON CA 92832

(714) 738-6541

RECOMMEND: $a > b$
 $b \leq 2'0''$



REVISED: 10/25/2010